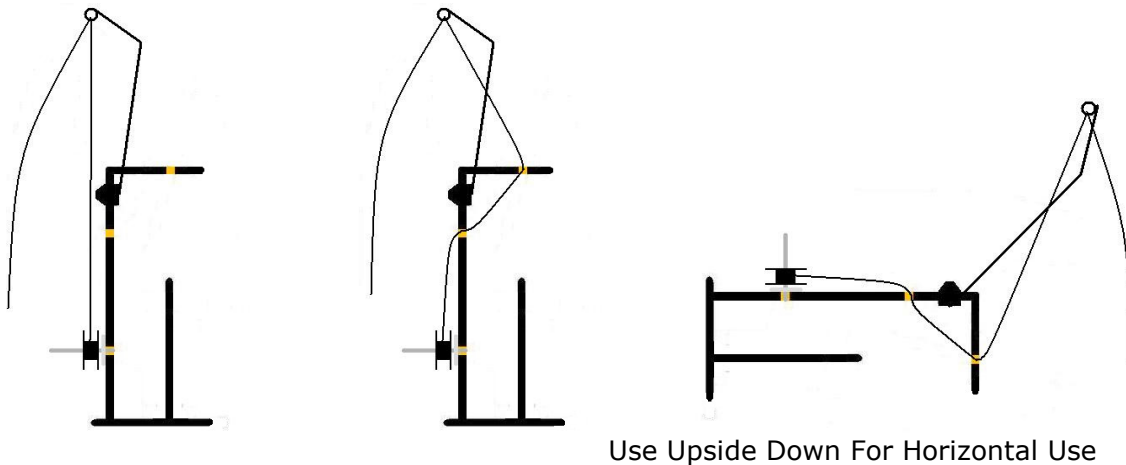
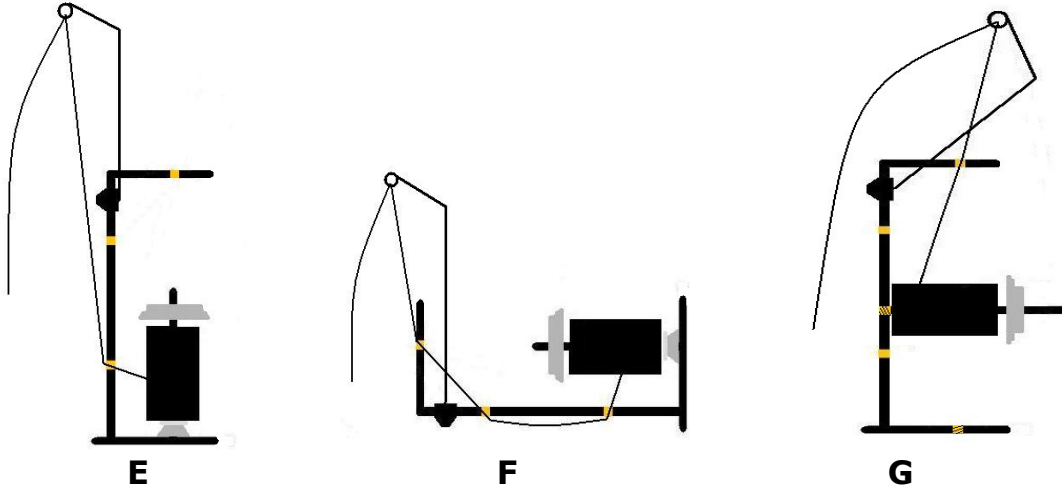


Alternative Instructions For Spinning Spools

There are some spools which will perform better if allowed to spin while supplying their thread. We recommend trying different configurations and using whichever works best. Versatility is the key to great results. *Ultra Smooth Thread Handling™* will guarantee it.



E: Install the small spool cap with curved side up and place felt pad on top. This will reduce the amount of drag to allow the spool to spin easily. The less resistance, the better. Do not push the large spool cap all the way down onto spool. That would prevent the spool from spinning.

F: When used horizontally it is necessary to bring the thread back through exit hole 3 and then out the primary exit hole. This configuration will work best for threads that tend to unravel when standing vertically, such as slippery silky types or hard to handle monofilament.

G: By placing the steel spool pin in the horizontal position, spools can now rotate with a minimum amount of drag and resistance. This is the best way to use spinning spools. This is also the best way we have found to deliver metallic type threads.

You can even use that leftover bobbin thread to sew with. Place the notched end of the supplied plastic spool pin into a brass eyelet. Install the felt pad and then your bobbin. Thread as shown.

Please Note: We recommend using the stationary method for winding bobbins.